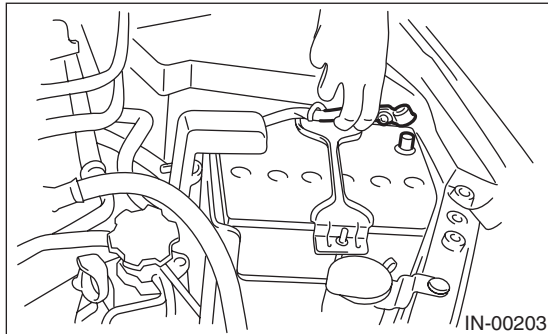


4. Oil Pump

A: REMOVAL

1) Disconnect the ground cable from battery.



2) Lift-up the vehicle.

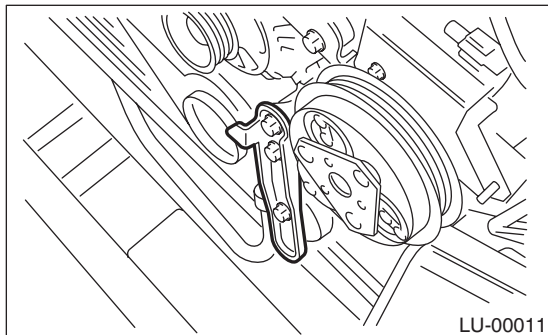
3) Remove the under cover.

4) Lower the vehicle.

5) Remove the radiator. <Ref. to CO(H4SO)-19, REMOVAL, Radiator.>

6) Remove the V-belts. <Ref. to ME(H4SO)-36, REMOVAL, V-belt.>

7) Remove the belt tensioner.

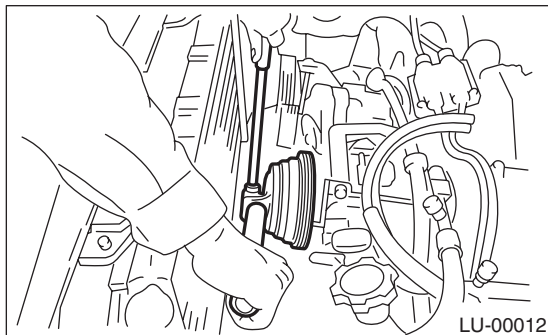


8) Remove the crankshaft position sensor.

<Ref. to FU(H4SO)-20, REMOVAL, Crankshaft Position Sensor.>

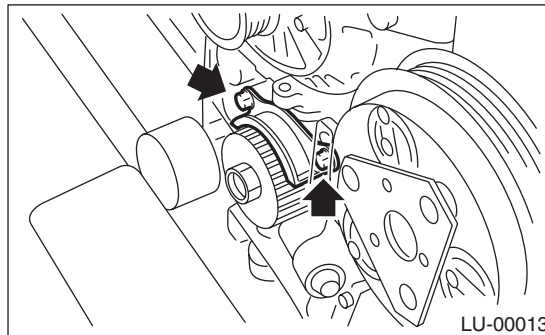
9) Remove the crank pulley using ST.

ST 499977100 CRANK PULLEY WRENCH

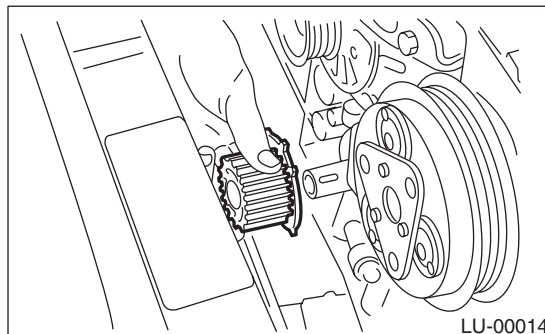


10) Remove the water pump. <Ref. to CO(H4SO)-14, REMOVAL, Water Pump.>

11) Remove the timing belt guide. (MT model)



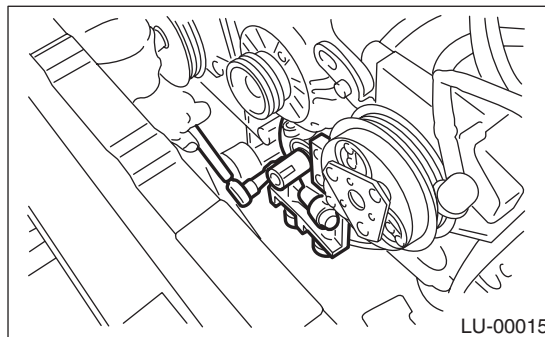
12) Remove the crank sprocket.



13) Remove the bolts which install oil pump onto cylinder block.

NOTE:

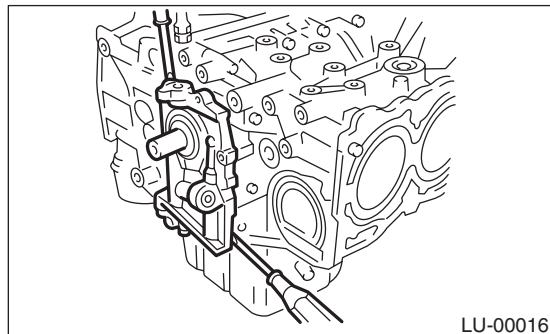
When disassembling and checking the oil pump, loosen the relief valve plug before removing the oil pump.



14) Remove the oil pump by using flat tip screwdriver.

CAUTION:

Be careful not to scratch mating surfaces of cylinder block and oil pump.



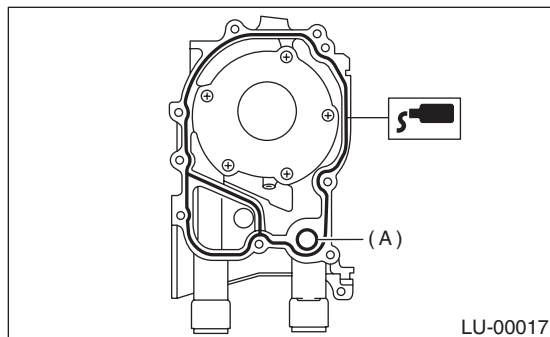
B: INSTALLATION

Install in the reverse order of removal. Perform the following.

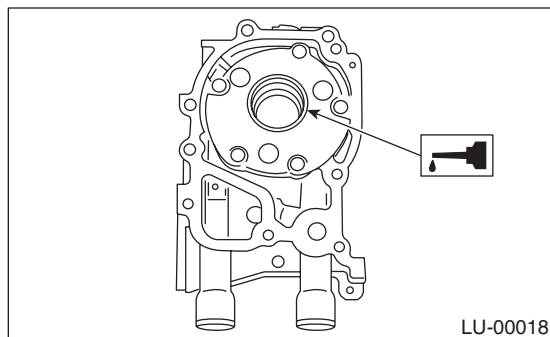
1) Apply liquid gasket to the mating surfaces of oil pump.

Liquid gasket:

Three bond 1215 (Part No. 004403007) or equivalent



2) Replace O-ring (A) with a new part.
3) Apply a coat of engine oil to the inside of oil seal.



4) Position the oil pump, aligning the notched area with crankshaft, and push the oil pump straight.

CAUTION:

- Make sure the oil seal lip is not folded.
- Be careful not to scratch the oil seal when installing oil pump on cylinder block.

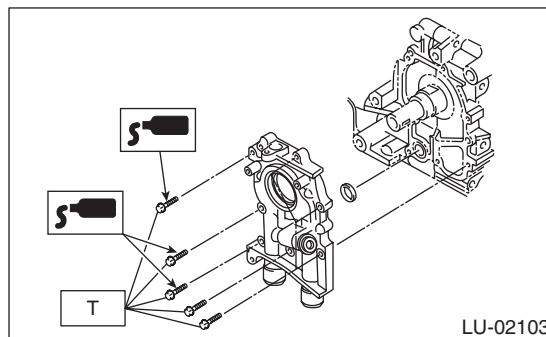
5) Install the oil pump.
6) Apply liquid gasket to the three bolts thread. (if the bolts are reused)

Liquid gasket:

Three bond 1324 (Part No.004403042) or equivalent

Tightening torque:

6.4 N-m (0.65 kgf-m, 4.7 ft-lb)



Oil Pump

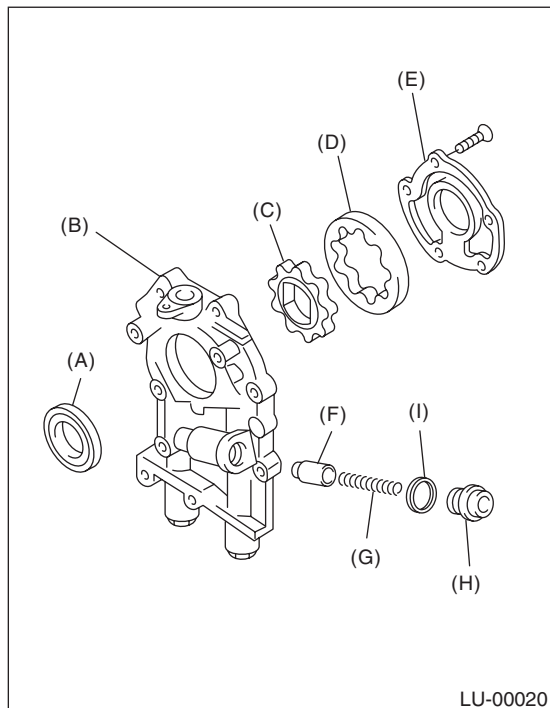
LUBRICATION

C: DISASSEMBLY

Remove the screw which secures oil pump cover and then disassemble oil pump. Inscribe alignment marks on the inner and outer rotors so that they can be replaced in their original positions during reassembly.

CAUTION:

Before disassembling the oil pump, remove the relief valve.



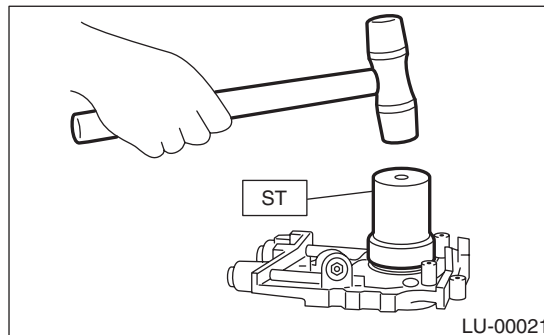
- (A) Oil seal
- (B) Oil pump case
- (C) Inner rotor
- (D) Outer rotor
- (E) Oil pump cover
- (F) Relief valve
- (G) Relief valve spring
- (H) Plug
- (I) Gasket

D: ASSEMBLY

1) Assemble the front oil seal by using ST.
ST 499587100 OIL SEAL INSTALLER

NOTE:

Use a new oil seal.



2) Apply a coat of engine oil to inner and outer rotors.

3) Assemble the inner and outer rotors in their original positions.

4) Assemble the oil relief valve and install relief valve spring and plug.

NOTE:

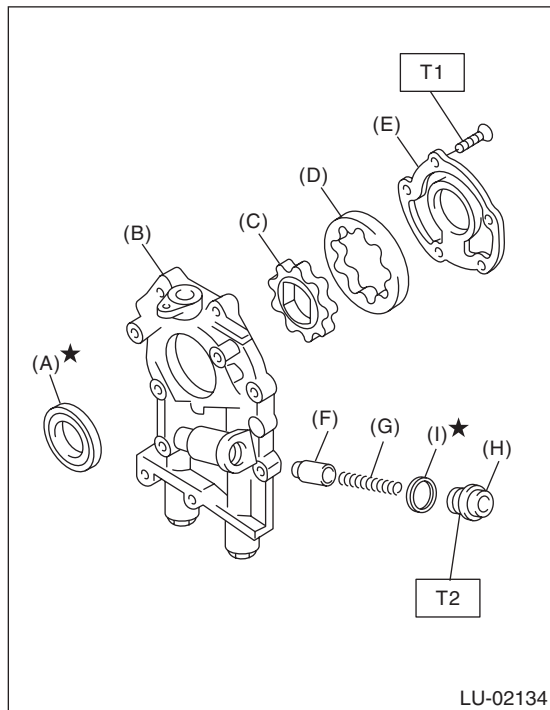
Use a new gasket.

5) Assemble the oil pump cover.

Tightening torque:

T1: 5.4 N·m (0.55 kgf-m, 4.0 ft-lb)

T2: 44 N·m (4.5 kgf-m, 32.5 ft-lb)



- (A) Oil seal
- (B) Pump case
- (C) Inner rotor
- (D) Outer rotor
- (E) Pump cover
- (F) Relief valve
- (G) Relief valve spring
- (H) Plug
- (I) Gasket

E: INSPECTION

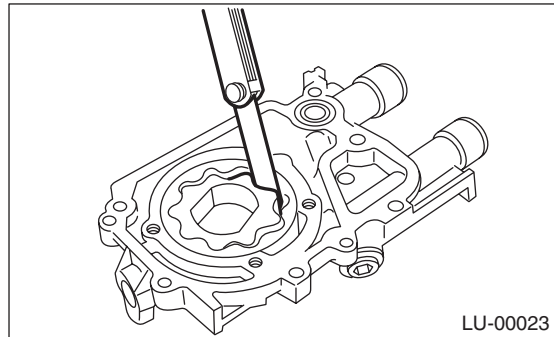
1. TIP CLEARANCE

Measure the tip clearance of rotors. If the clearance exceeds the limit, replace rotors as a matched set.

Tip clearance:

Standard:

0.04 — 0.14 mm (0.0016 — 0.0055 in)



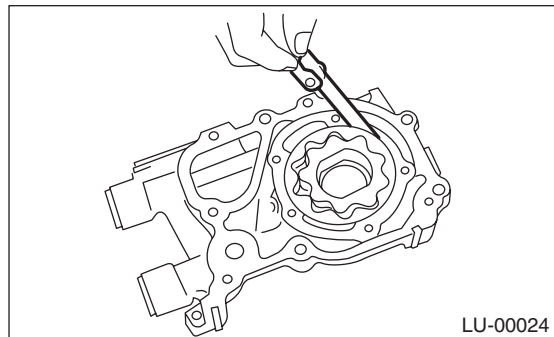
2. CASE CLEARANCE

Measure the clearance between outer rotor and oil pump case. If the clearance exceeds the limit, replace the rotor.

Case clearance:

Standard:

0.10 — 0.175 mm (0.0039 — 0.0069 in)



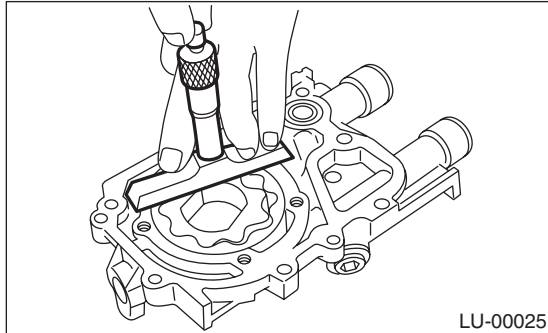
3. SIDE CLEARANCE

Measure the clearance between oil pump inner rotor and oil pump cover. If the clearance exceeds the limit, replace rotor or oil pump case.

Side clearance:

Standard:

0.02 — 0.07 mm (0.0008 — 0.0028 in)



4. OIL RELIEF VALVE

Check the valve for assembly condition and damage, and the relief valve spring for damage and deterioration. Replace the parts if defective.

Relief valve spring

Free length:

73.7 mm (2.902 in)

Installed length:

54.7 mm (2.154 in)

Load when installed:

93.1 N (9.49 kgf, 20.88 lb)

5. OIL PUMP CASE

Check the oil pump case for worn shaft hole, clogged oil passage, worn rotor chamber, cracks and other faults.

6. OIL SEAL

Check the oil seal lips for deformation, hardening, wear, etc. and replace if defective.